

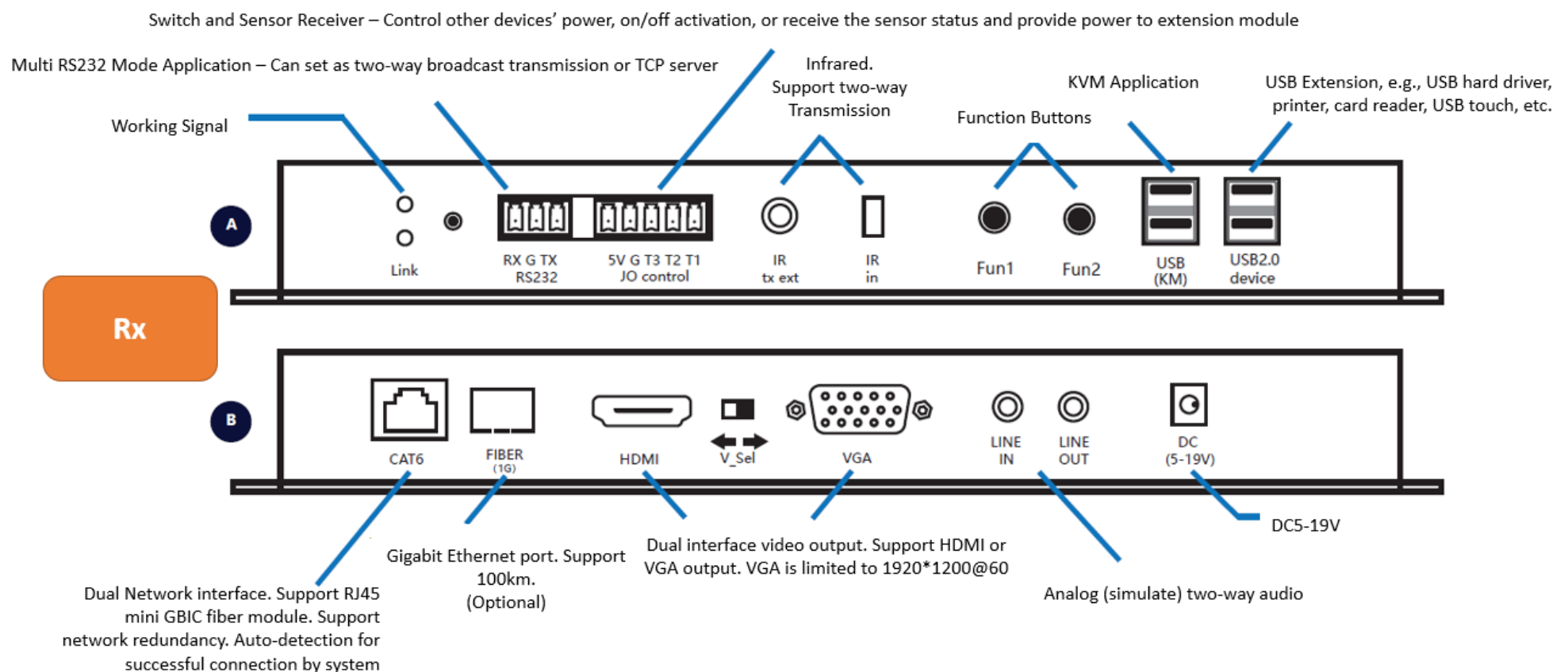
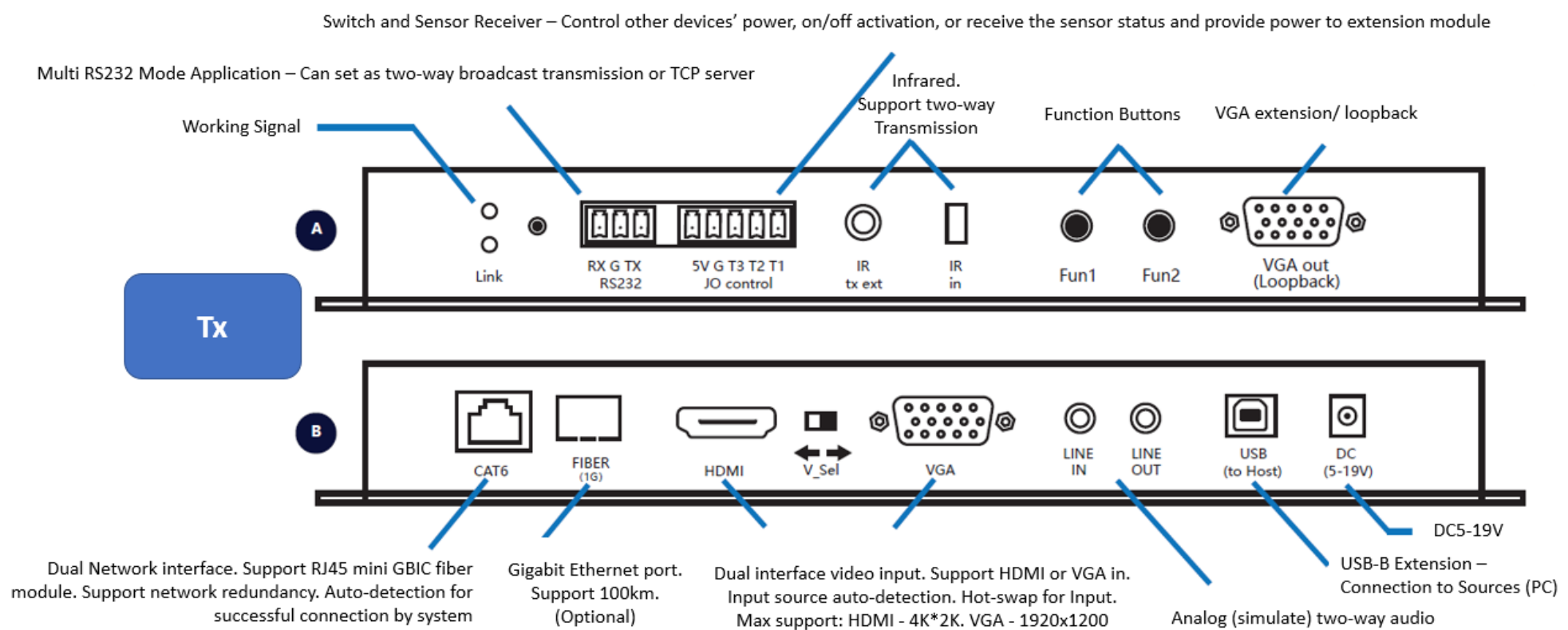
Transmission Terminals

4K30 Series

Features

- Resolution 3840x2160P30
- 1 Frame Latency
- Support Audio Transfer, IR, USB 2.0, HID, RS232, GPIO, etc.
- Support KVM control, grouping and authorization
- Support Cross-platform operation and mouse roaming
- Support Hot-swap
- Long distance signal transfer – CAT6, 180m; fiber, 100km.

Design Introduction



Transmission Terminals

4K30 Series

Specifications

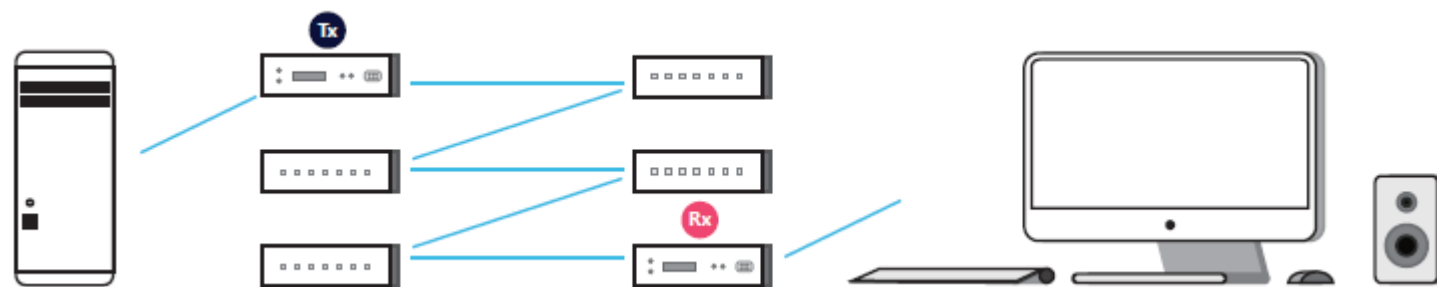
Type	Transmitter	Receiver
Model	PAV-T4301 / PAV-T4302	PAV-R4301 / PAV-R4302
Video		
Max. Resolution	3840x2160P30 (HDMI) 1920x1200P60 (DVI/ VGA)	
VGA input	Yes	N/A
VGA Output	N/A	Yes (Max. 1920x1200)
HDMI	HDMI 2.0a input (Compatible DVI-D)	
3D Format	HDMI 1.4b 3D:TnB, SbS, F.P	
Colour Depth	1080p: 24, 30, 36 bpp – 2160p: 24bpp	
HDR	Yes	
HDCP 1.4	Yes	
HDCP 2.2	Optional	
EDID	Built-in EDID simulator, Support display EDID or customized EDID	
Latency (Tx → Rx, Typ.)	1 frame (about 33ms)	
Compression	Visual Lossless (Compressed Transfer)	
Display Input/ Output mix	Support HDMI-in to VGA out, and VGA-in to HDMI-out	
Scaler	Yes (Upscaling/ downscaling 2x)	
Picture Preview	Yes (Support BMP, PNG, JPG)	
Audio		
HDMI format	2ch and 8ch LPCM, 5.1ch and 7.1ch NLPCM (Dolby TrueHD, DTS-HD, Dolby Atmos, DTS:X)	
Port	3.5mm (Stereo)	
Two-way transmission	Analog, under UNICAST mode	
Digital & Analog switch	Yes (Analog → HDMI, or HDMI → Analog)	
USB Interface		
Max. USB Ports	5	
Support devices	USB in/put devices, Card reader, Storage, etc.	
KVM	Support, OSD menu, hot key, Multi Rx to 1Tx Control	
Mouse Roaming	Support, Cross platform	
Authorization Control	Support, USB type, KVM control (Optional)	
IR		
Frequency	30K to 50K	
Operation	Two-way, half-duplex	
RS232		
Speed rate	300 to 115200 bps	
Work mode	Virtual, TCP/UDP server, uni-mode, brocast mode	
Operation	Two-way, full-duplex	
GPIO		
Out	2 (0-3.3V)	
In	1 (0-3.3V)	
Transmission		
Standard	TCP/IP	
Network	1G/ RJ45 (Suggest CAT5E, CAT6, CAT7 cable) (POE Optional)	
Fiber (Optional)	SFP +Support Single/ Multimode, Single/ Duplex LC	
Redundancy (Optional)	Yes, Electro-Optical switching	
Other Specs		
Power	DC 5-19V/ 8W (Without USB & Module Power Supply)	
Module Power Out	5V/ 500mA	
Storage Temperature	-30 to 70	
Working Temperature	-10 to 60	
Size	220*102*30	
Weight	540g (Standard)	

Transmission Terminals

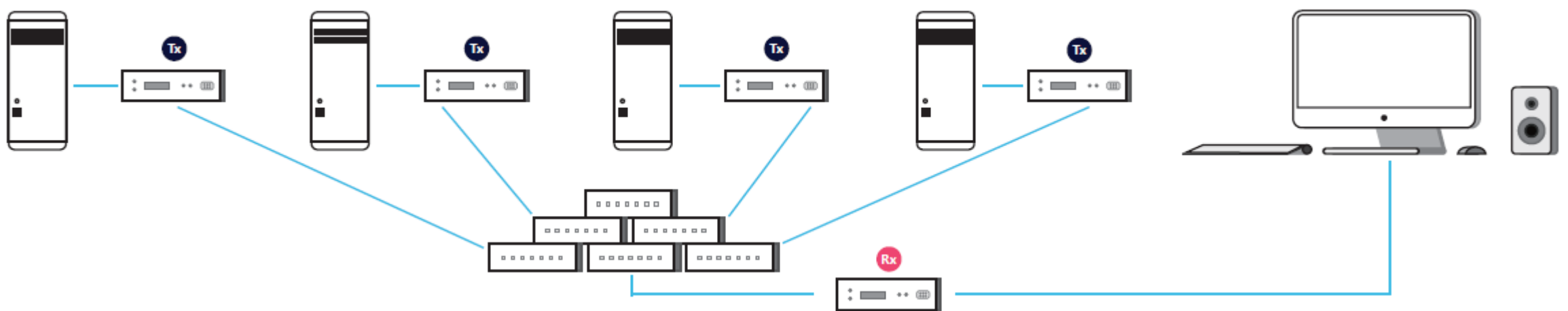
Application Concepts



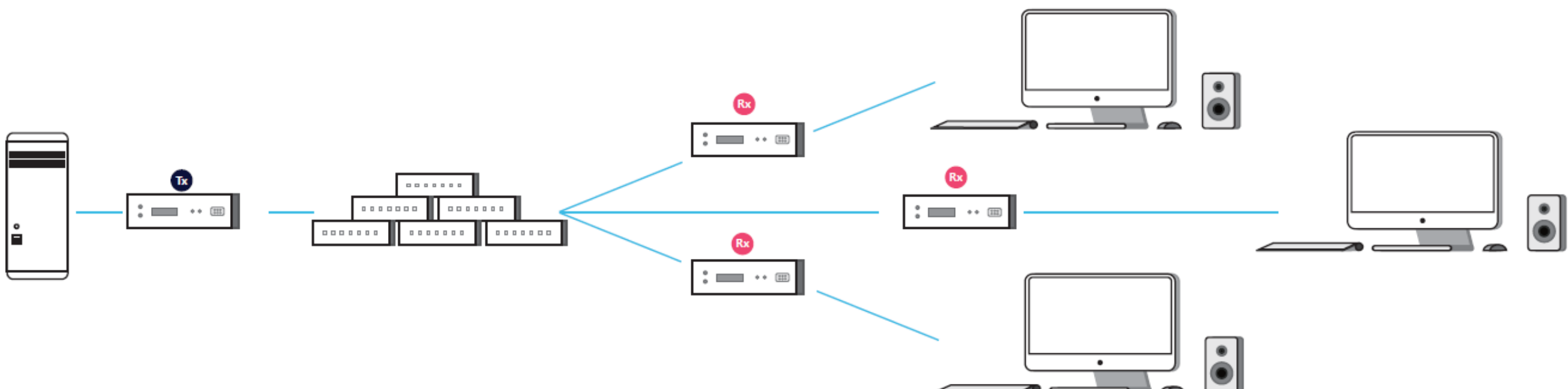
Spot to Spot Mode: Tx – Rx as long distance extension, up to 100m



Spot to Spot Mode: With multiple switch box



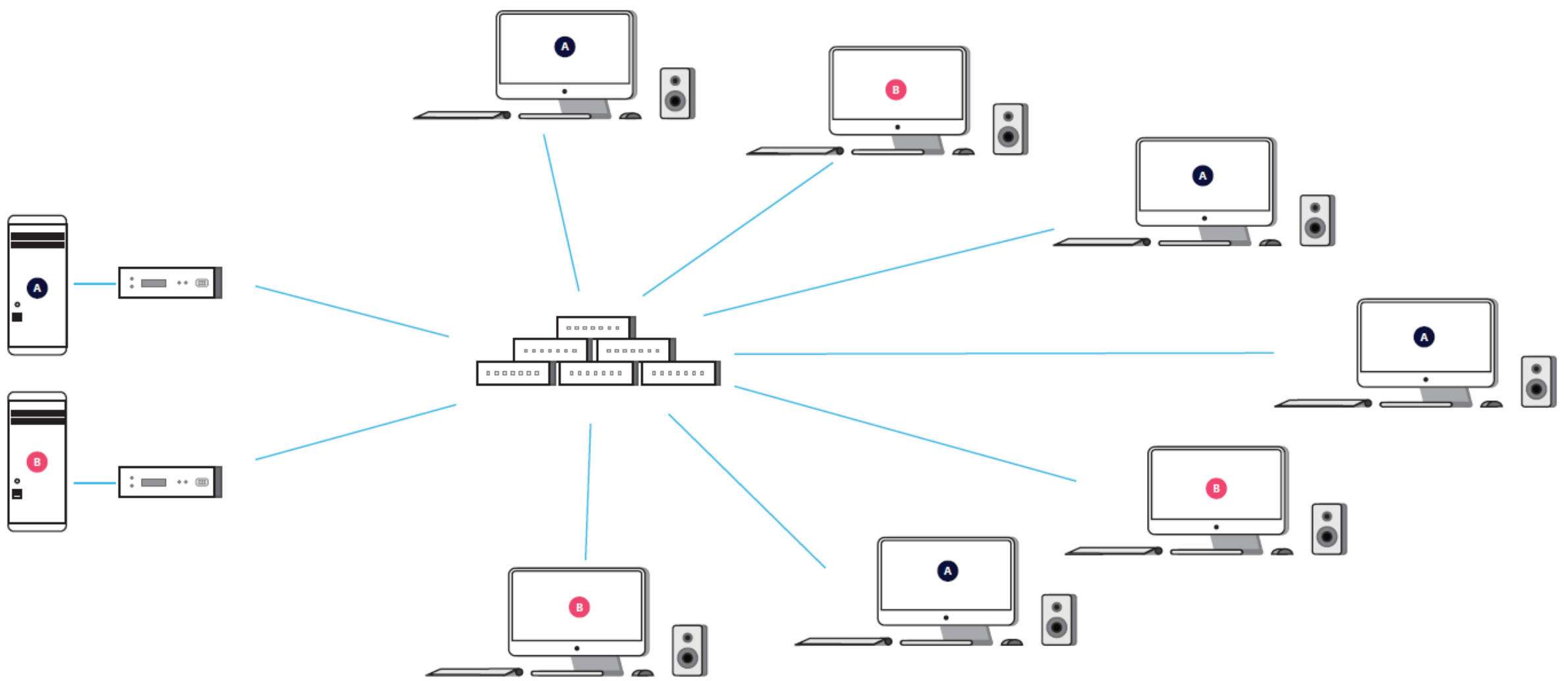
One to multiple sources control, switch on Rx end



Multiple Rx ends share one source

Transmission Terminals

Application Concepts



Multiple Tx and Rx Connections