

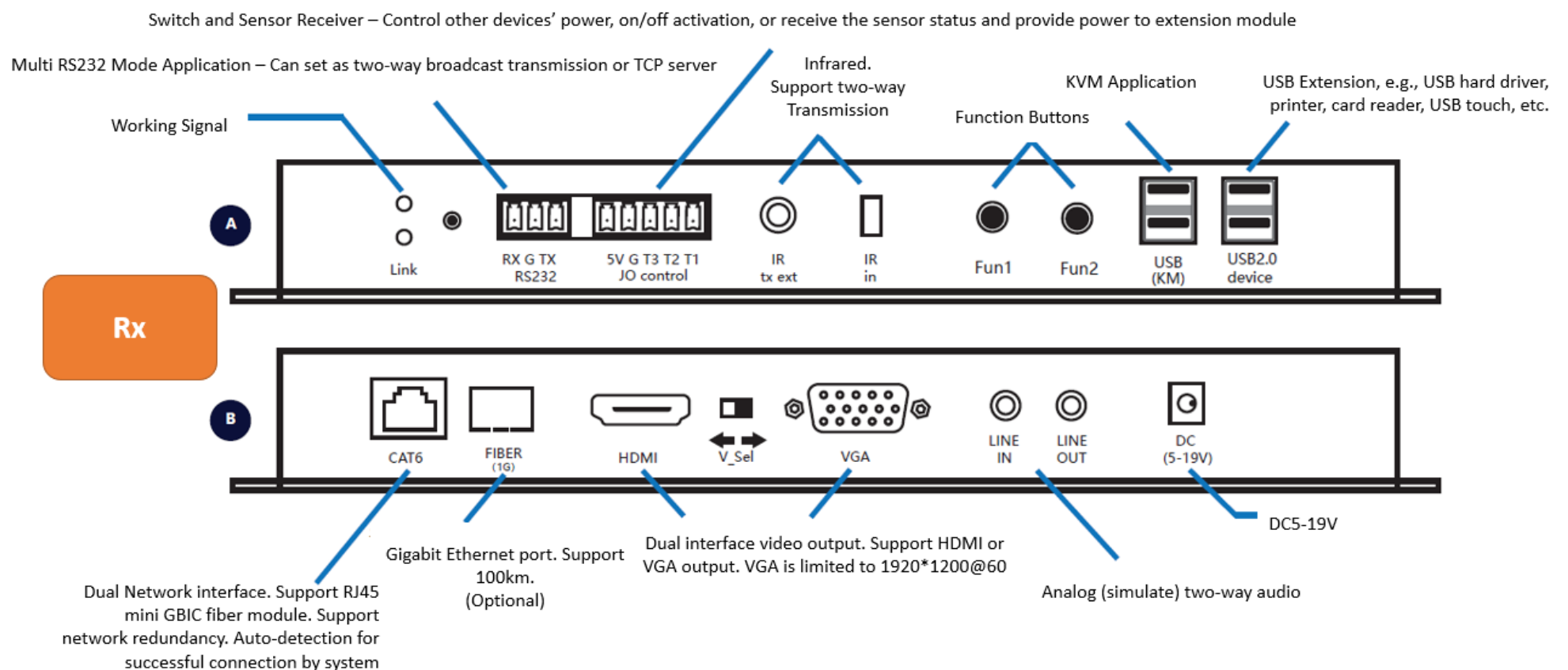
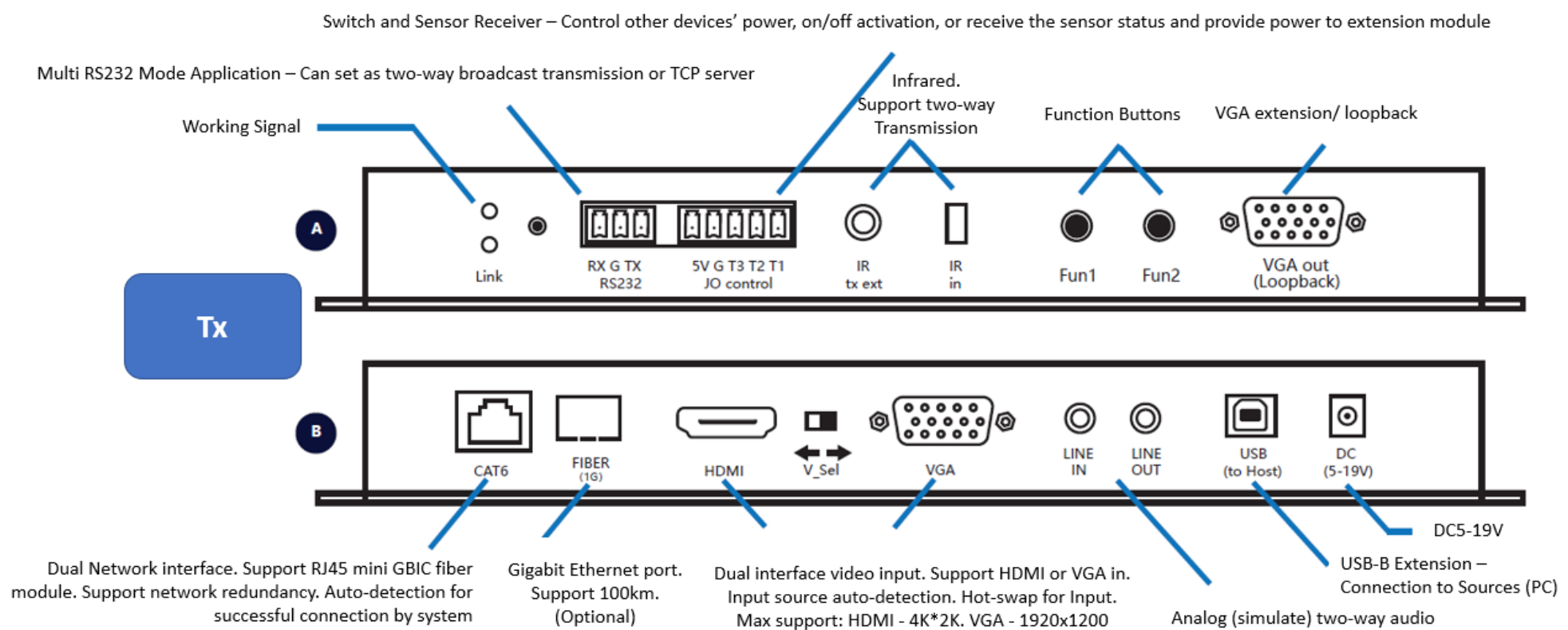
Transmission Terminals

FHD Series

Features

- Resolution 1920x1080 or 1920x1200
- 1 Frame Latency
- Support Audio Transfer, IR, USB 2.0, HID, RS232, GPIO, etc.
- Support KVM control, grouping and authorization
- Support Cross-platform operation and mouse roaming
- Support Hot-swap
- Long distance signal transfer – CAT6, 180m; fiber, 100km.

Design Introduction



Transmission Terminals

FHD Series

Specifications

| Type | Transmitter | Receiver |
|---------------------------|--|-----------------------|
| Model | PAV-T1001 / PAV-T1002 | PAV-R1001 / PAV-R1002 |
| Video | | |
| Max. Resolution | 1920x1080@60 (HDMI) 1920x1200@60 (DVI-D/ VGA) | |
| VGA input | Yes | N/A |
| VGA Output | N/A | Yes |
| HDMI | HDMI 1.4a input (Compatible DVI-D) | |
| 3D Format | HDMI 1.4b 3D:TnB, SbS, F.P | |
| Colour Depth | 24, 30, 36 bpp | |
| HDR | Yes | |
| HDCP 1.4 | Yes | |
| HDCP 2.2 | Optional | |
| EDID | Support reading display EDID | |
| Latency (Tx → Rx, Typ.) | 1 frame (about 17ms) | |
| Compression | Visual Lossless (Compressed Transfer) | |
| Display Input/ Output mix | Support HDMI-in to VGA out, and VGA-in to HDMI-out | |
| Scaler | Yes (Upscaling/ downscaling 2x) | |
| Picture Preview | Yes (Support BMP, PNG, JPG) | |
| Audio | | |
| HDMI format | 2ch and 8ch LPCM, 5.1ch and 7.1ch NLPCM (Dolby TrueHD, DTS-HD, Dolby Atmos, DTS:X) | |
| Port | 3.5mm (Stereo) | |
| Two-way transmission | Analog, under UNICAST mode | |
| Digital & Analog switch | Yes (Analog → HDMI, or HDMI → Analog) | |
| USB Interface | | |
| Max. USB Ports | 5 | |
| Support devices | USB in/put devices, Card reader, Storage, etc. | |
| KVM | Support, OSD menu, hot key, Multi Rx to 1Tx Control | |
| Mouse Roaming | Support, Cross platform | |
| Authorization Control | Support, USB type, KVM control (Optional) | |
| IR | | |
| Frequency | 30K to 50K | |
| Operation | Two-way, half-duplex | |
| GPIO | | |
| Out | 2 (0-3.3V) | |
| In | 1 (0-3.3V) | |
| RS232 | | |
| Speed rate | 300 to 115200 bps | |
| Work mode | Virual, TCP/UDP server, uni-mode, brocast mode | |
| Operation | Two-way, full-duplex | |
| Transmission | | |
| Standard | TCP/IP | |
| Network | 1G/ RJ45 (Suggest CAT5E, CAT6, CAT7 cable) | |
| Fiber (Optional) | SFP +Support Single/ Multimode, Single/ Duplex LC | |
| Redundancy | Yes, Electro-Optical switching | |
| Other Specs | | |
| Power | DC 5-19V/ 8W (Without USB & Module Power Supply) | |
| Module Power Out | 5V/ 500mA | |
| Storage Temperature | -30 to 70 | |
| Working Temperature | -10 to 60 | |
| Size | 220*102*30 mm | |
| Weight | 540g (Standard) | |

Transmission Terminals

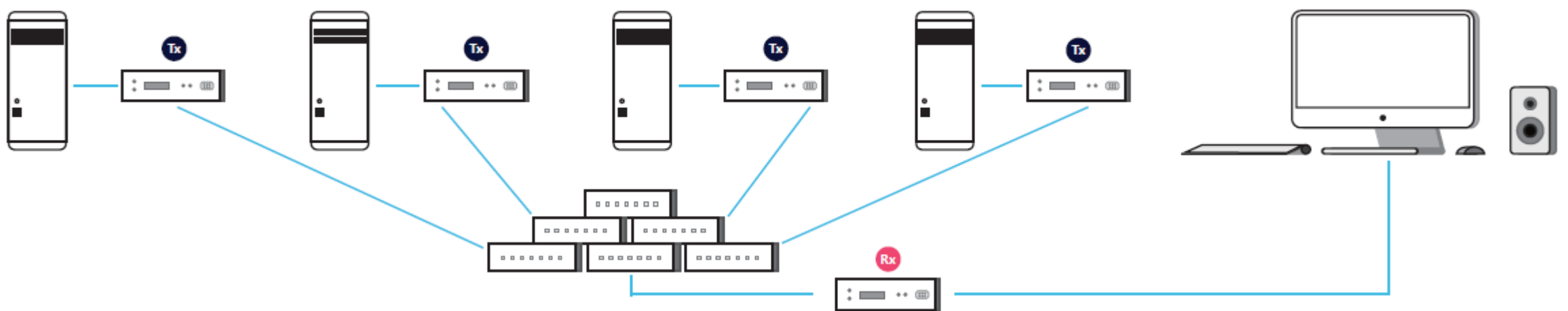
Application Concepts



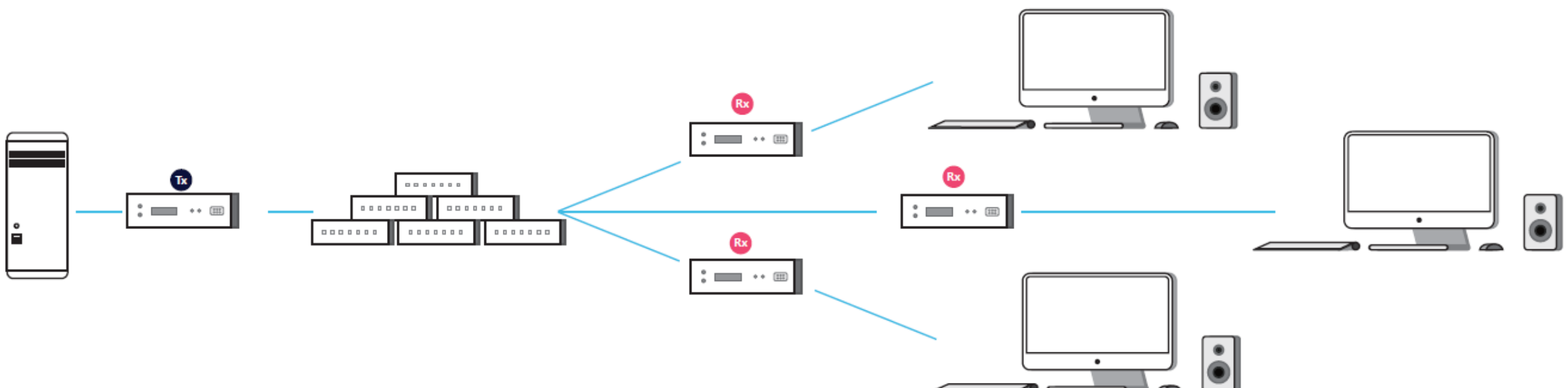
Spot to Spot Mode: Tx – Rx as long distance extension, up to 100m



Spot to Spot Mode: With multiple switch box



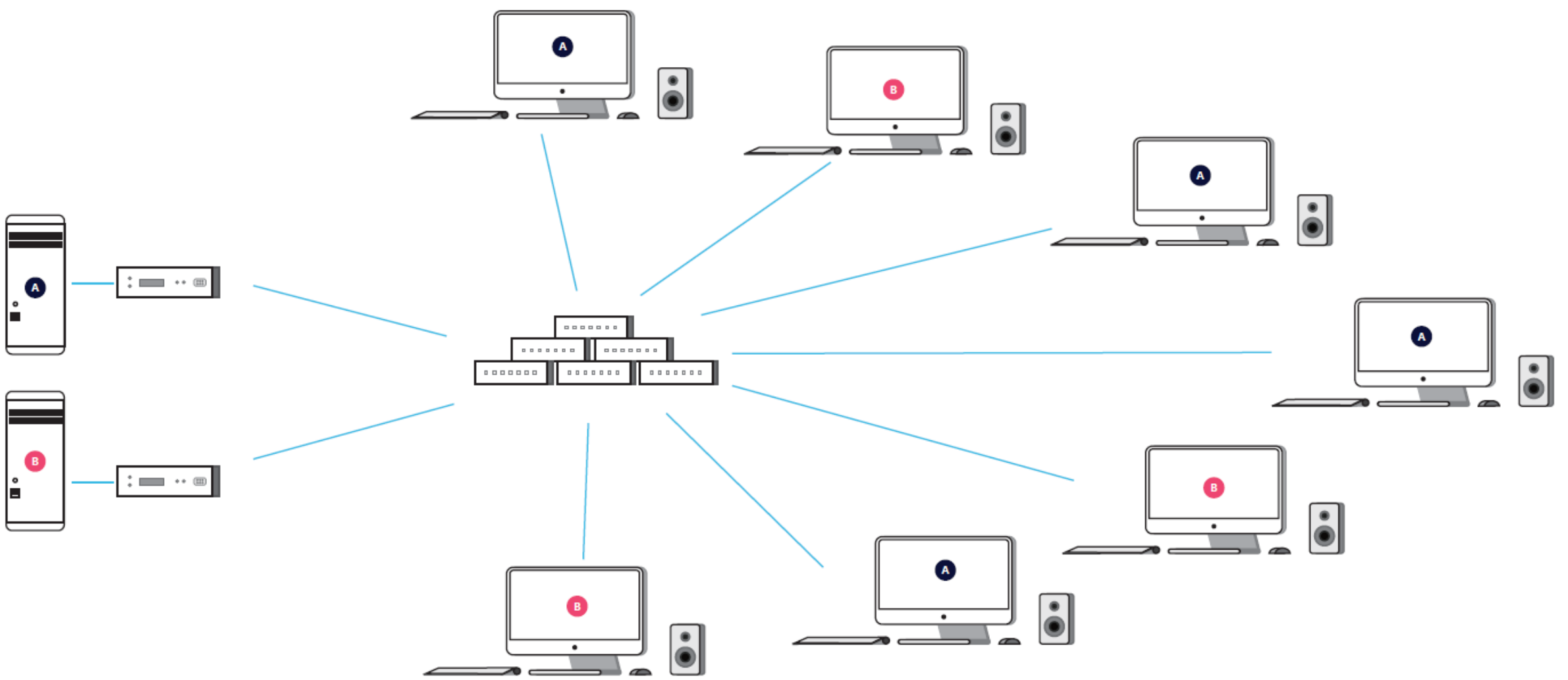
One to multiple sources control, switch on Rx end



Multiple Rx ends share one source

Transmission Terminals

Application Concepts



Multiple Tx and Rx Connections