



Military Display

# 24 inch Military LCD Open Frame Specification

Model No. : SLM-MR2400-E

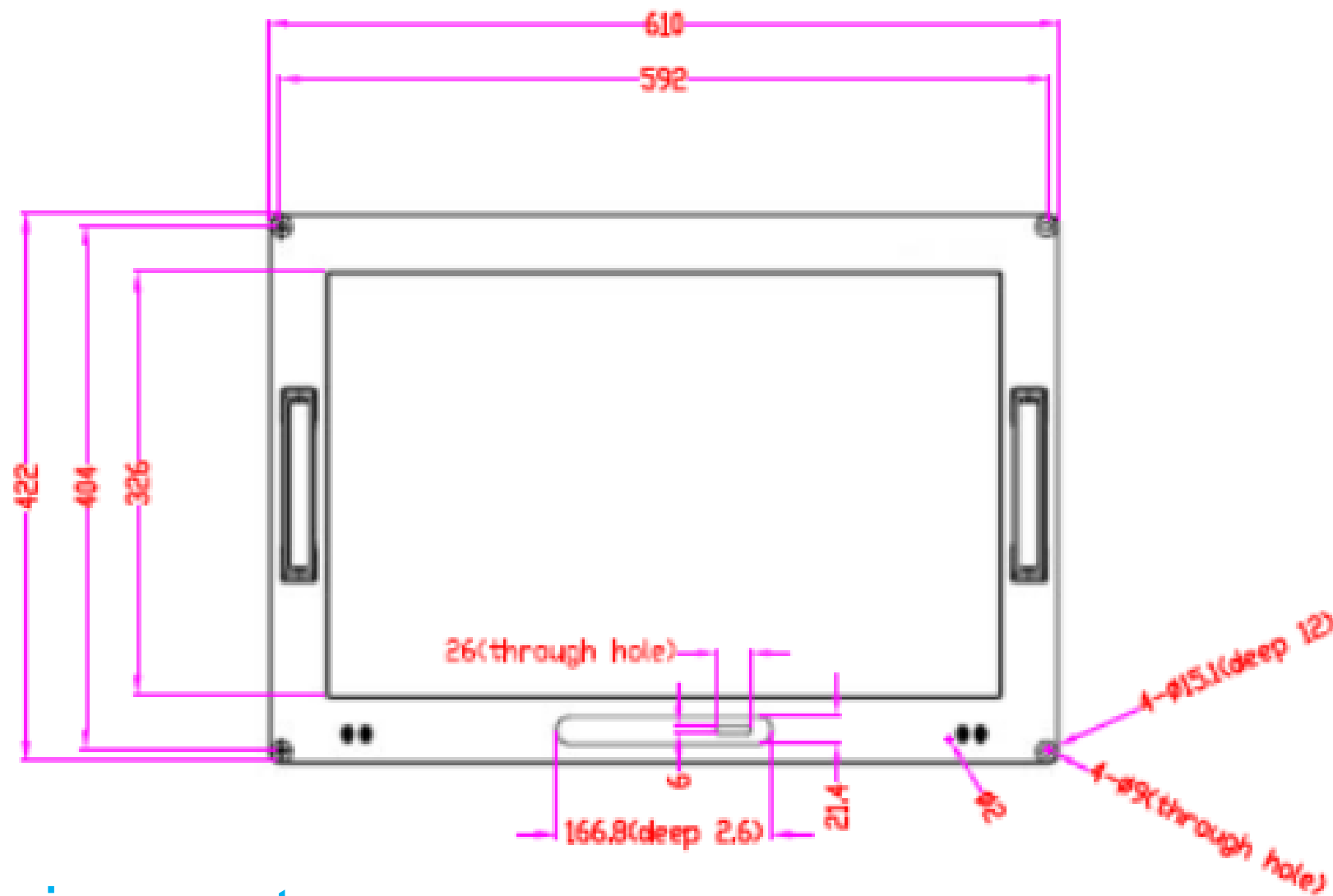
Date : 20220517

Version : V08

ACT Power GM Approve	ACT Power PM Approve

# SLM-MR2400-E

## Appearance



## LVDS Pin Assignment

PIN #	Symbol	Description	Remark
1	RxO0-	Negative LVDS differential data input (Odd data)	
2	RxO0+	Positive LVDS differential data input (Odd data)	
3	RxO1-	Negative LVDS differential data input (Odd data)	
4	RxO1+	Positive LVDS differential data input (Odd data)	
5	RxO2-	Negative LVDS differential data input (Odd data)	
6	RxO2+	Positive LVDS differential data input (Odd data)	
7	GND	Ground	
8	RxOCLK-	Negative LVDS differential clock input (Odd)	
9	RxOCLK+	Positive LVDS differential clock input (Odd clock)	
10	RxO3-	Negative LVDS differential data input (Odd data)	
11	RxO3+	Positive LVDS differential data input (Odd data)	
12	RxE0-	Negative LVDS differential data input (Even data)	
13	RxE0+	Positive LVDS differential data input (Even data)	
14	GND	Ground	
15	RxE1-	Negative LVDS differential data input (Even data)	
16	RxE1+	Positive LVDS differential data input (Even data)	
17	GND	Ground	
18	RxE2-	Negative LVDS differential data input (Even data)	
19	RxE2+	Positive LVDS differential data input (Even data)	
20	RxECLK-	Negative LVDS differential clock input (Even)	
21	RxECLK+	Positive LVDS differential clock input (Even clock)	
22	RxE3-	Negative LVDS differential data input (Even data)	
23	RxE3+	Positive LVDS differential data input (Even data)	
24	GND	Ground	
25	NC	No connection (for AUO test only. Do not	
26	NC	No connection (for AUO test only. Do not	
27	NC	No connection (for AUO test only. Do not	
28	VDD	Power Supply Input Voltage	
29	VDD	Power Supply Input Voltage	
30	VDD	Power Supply Input Voltage	

## Specifications

### LCD Module

LCD Size	24 TFT LCD
Backlight	LED
Resolution	1920 x 1200
View Angle	± 89° (H), ±89° (V)
Luminance	≥ 300 cd/m2 (after bonding)
Contrast Ratio	1000:1
Aspect Ratio	16:10
Response Time	14 ms
No. of Color	16.7M
Active area	518.4 x 324 mm
Pixel Pitch	0.270 (H) x 0.270 (V)
LED Life Time	50,000 Hrs (Min)

### Touch Screen

Touch Type	5-Wire Resistive Touch
Viewable Area	522.4 x 328 mm
Active Area	518.4 x 324 mm
Touch Interface	USB
Touch Glass	AG/AR Strengthen Glass
Optical Bonding	EMI mesh with optical bonding
Touch Drivers	Support Windows, Linux, Mac, etc.

### Environmental

Operating Temperature	-10°C to +60°C (Note)
Storage Temperature	-20°C to +70°C (Note)
Humidity	Ta=40°C, 95%RH, non-condensing (Note)
EMI/EMC	The LCD Kit is designed to meet ML-STD-461E/F for a whole display unit(Note)
Shock	The LCD Kit is designed to meet MIL-STD-810D for a whole display unit(Note)
Vibration	The LCD Kit is designed to meet MIL-STD-810E for a whole display unit( Note)
Altitude above sea level	0~9144 M (30000 feet)(Note)
Net Weight	Approx. 13.8 Kg
Gross Weight	Approx. 16.68 Kg

**Note: This LCD kit provides basic requirements to be assembled for meeting above certification while the final validation on finishing product would still depend on final design.**

## Order information

Model Name	Description	Qty
SLM-MR2400-E	24 inch military lcd open frame	1