

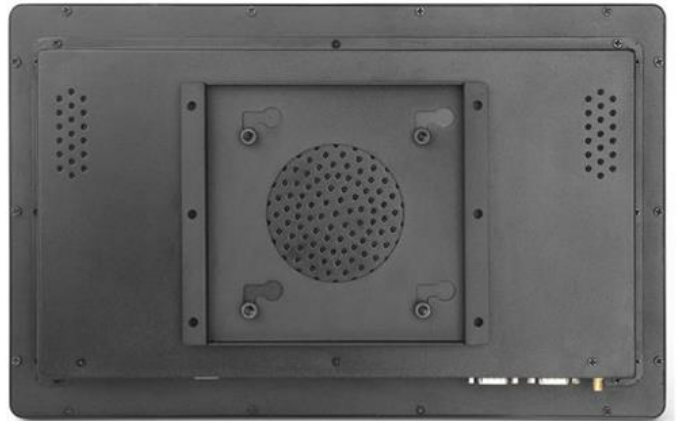
BTS-L2101

21.5 inch Panel PC with i5 CPU & battery reserved

Features

- 21.5 inch LCD panel
- Intel® Core™ i5-8250U Processor, 6M Cache, up to 3.40 GHz
- 512GB SSD Storage
- 16GB DDR4 RAM
- 1920 x 1080, 1000 nits
- 6x RS232 Ports
- Batter reserved for power surge function, 5-10 minutes backup

Appearance



BTS-L2101

21.5 inch Panel PC with i5 CPU & battery reserved

Revision Table

Date	Revision	Content	By
2024/6/5	0.1	First Draft	Dennis

BTS-L2101

21.5 inch Panel PC with i5 CPU & battery reserved

Specification

System		
CPU	Intel® Core™ i5-8250U Processor, 6M Cache, up to 3.40 GHz	
Memory	16GB DDR4	
Storage	512GB SSD	
Graphics	Intel® UHD Graphics 620	
Audio	Realtek ALC662, High Definition Audio (HD), Line in, Line out	
Network	1x Realtek RTL 8111E Gigabit Ethernet controller	
Connectivity	WIFI 2.4/5 Support (Optional)	
I/O	4x USB 1x HDMI Output 1x VGA Output 1x RJ45 GbE LAN	1x Earphone 1x Microphone 6x RS232 1x DC Input
OS	Windows 10 Pro/ Windows 11 Pro	
LCD Panel		
Panel Size	21.5"	
Resolution	1920 x 1080	
Aspect Ratio	16:9	
Brightness	1000nits	
Response Time	15ms	
Contrast Ratio	1000:1	
Viewing Angle	89/89/89/89 (L/R/U/D)	
Touch Screen (Optional)	10 points Capacitive Touch	
Power Supply		
Power Input	12VDC, total consumption <60W (DC9-36V Optional)	
Battery	Reserved battery for power surge backup. Approx. 5-10 minutes. -> Standard operation: External Power -> External Power disappear: Battery backup	

BTS-L2101

21.5 inch Panel PC with i5 CPU & battery reserved
Specification

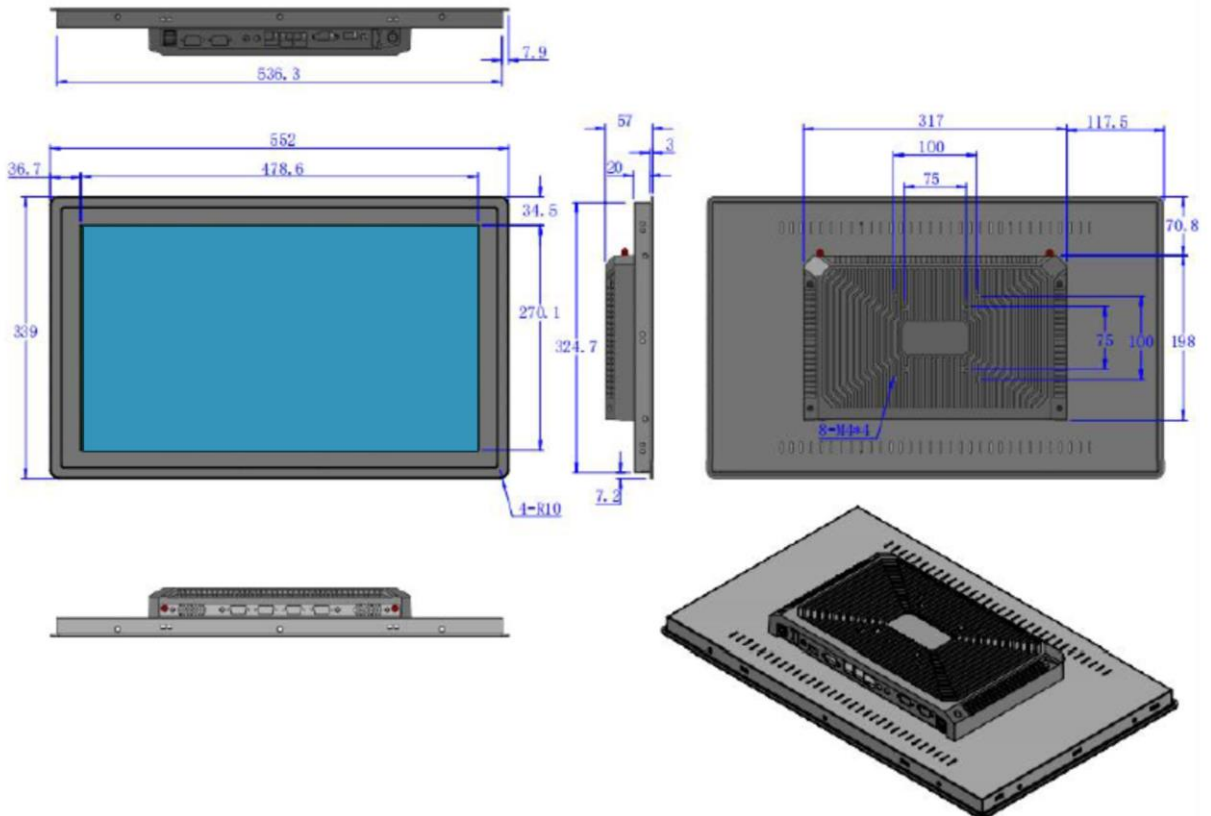
Others	
IP Rating	IP65 Front
VESA	100 x 100
Weight	Approx. 7kg

Environmental Performance

Working Temperature	-10°C to 60°C
Storage Temperature	-20°C to 70°C
Humidity	5%~95% @ 40° C, non-condensing
Vibration	5-500 Hz, 0.026 G ² /Hz, 2.16 Grms, X, Y, Z, 1 hour per axis

Environmental performance may vary according to the integration method or final integration scenario.

Reference Drawings



Thickness may vary due to the battery reserved.

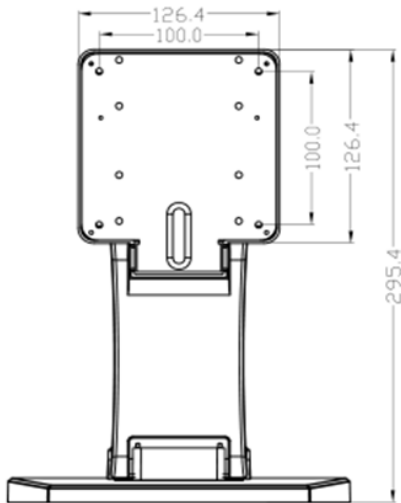
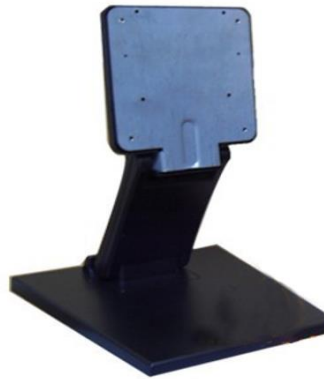
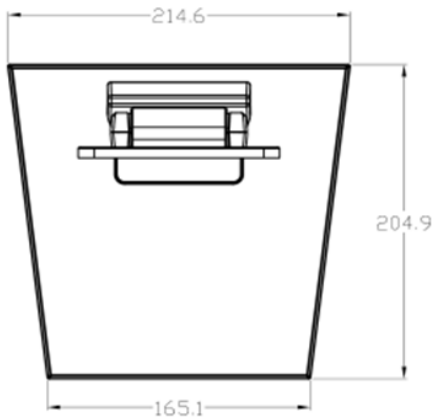
BTS-L2101

21.5 inch Panel PC with i5 CPU & battery reserved

Optional Accessories

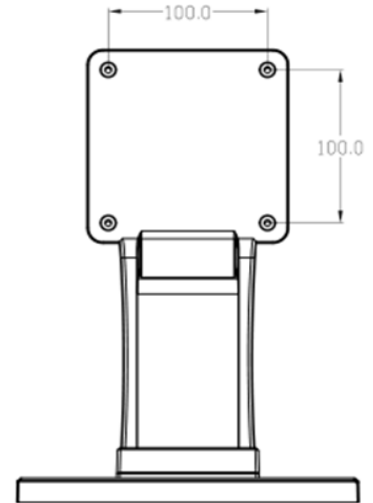
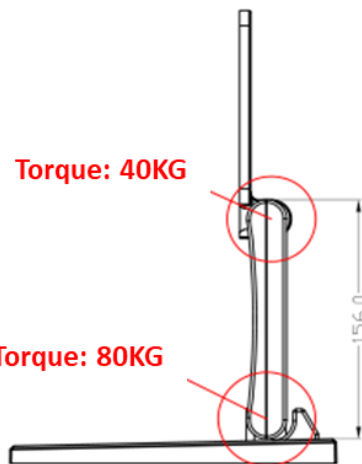
ACT-ME0008

Desktop Mounting Kit
Dimension Drawings



Torque: 40KG

Torque: 80KG



Performance

Mounting	Desktop Mount
Mounting Holes	VESA100 x 100
Function	Multi-folding type
Lifetime	1000 times folding

BTS-L2101

21.5 inch Panel PC with i5 CPU & battery reserved

Deliverables

1	21.5 inch Panel PC with i5 CPU & battery reserved
2	100-240VAC to 12VDC Adapter (19V 6.32amp)
3	WiFi Antenna
4	Wall Mount Bracket
Optional	ACT-ME0008 - Desktop Mounting Kit

Ordering Information

Model Name	Description	Unit
BTS-L2101	21.5 inch Panel PC with i5 CPU & battery reserved	1
ACT-ME0008	Desktop Mounting Kit	1

Ordering Details

BTS-L2101 - 7 4 T W

SSD Capacity

- (N) None
- (1) 8GB
- (2) 16GB
- (3) 32GB
- (4) 64GB
- (5) 120~128GB
- (6) 240~256GB
- (7) 480~512GB
- (8) 960~1TB
- (9) 2TB

RAM Capacity

- (N) None
- (1) 2GB
- (2) 4GB
- (3) 8GB
- (4) 16GB
- (5) 32GB
- (6) 64GB
- (7) 128GB

RF Optional

- Blank: None
- (B): BT
- (G): GPS
- (L): 4G/5G
- (W): WIFI

Touch Function

- (N) None
- (T) Capacitive Touch

BTS-L2101-74TW: 21.5 inch Panel PC with i5 CPU & battery reserved, 512GB SSD, 16GB RAM, Capacitive Touch, WiFi.